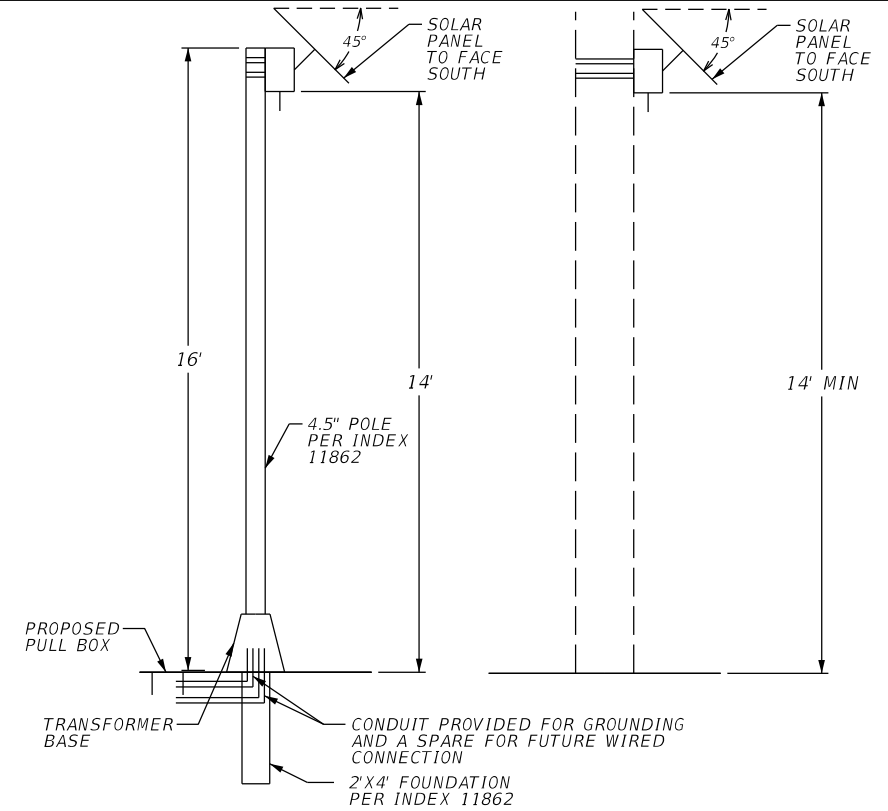


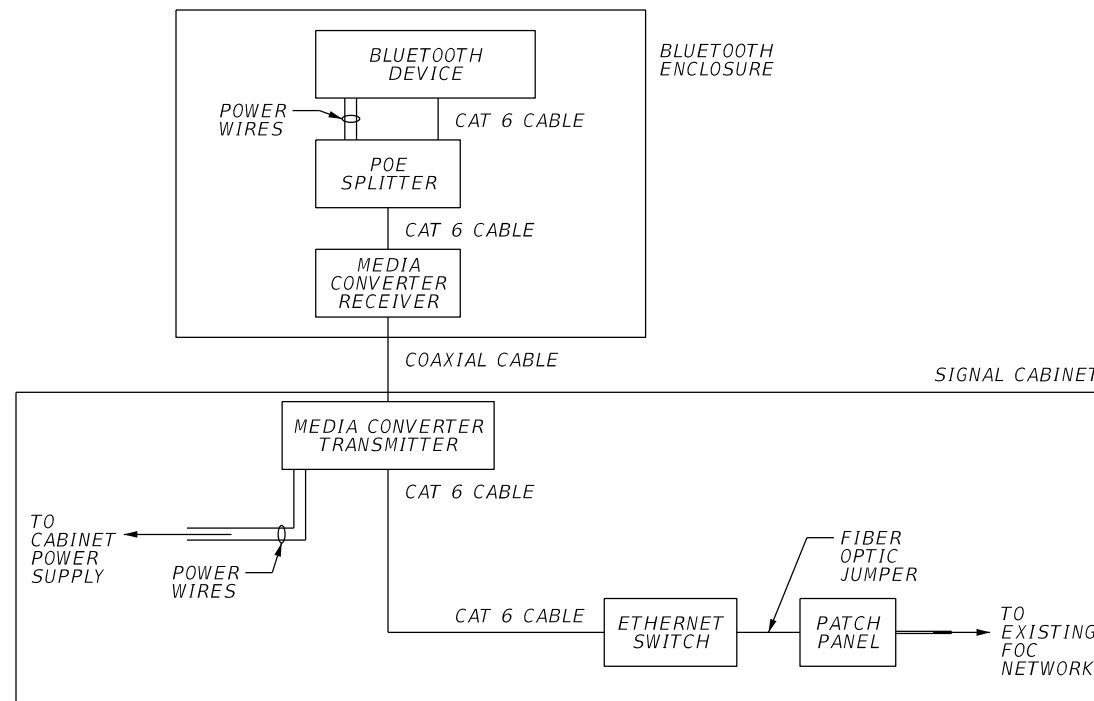
PROPOSED POLE WIRED CONNECTION EXISTING POLE WIRED CONNECTION



PROPOSED POLE WIRELESS CONNECTION EXISTING POLE WIRELESS CONNECTION

POLE MOUNTING DETAILS

NOTE: CONCRETE SLAB TO BE PROVIDED AROUND EVERY PROPOSED PULL BOX AND PROPOSED POLE LOCATION PER INDEX 11862. COST OF CONCRETE IS INCIDENTAL TO THE PULL BOX PAY ITEM.



BLUETOOTH DEVICE INSTALLATION DETAILS

REVISIONS				FALLER, DAVIS & ASSOCIATES, INC. 258 SOUTHHALL LANE - SUITE 210 MAITLAND, FL 32751 CERTIFICATE OF AUTHORIZATION NO.: 5864 KEVIN R. CAREY, P.E. NO.: 61635	STATE OF FLORIDA DEPARTMENT OF TRANSPORTATION			SHEET NO. IT-51
DATE	DESCRIPTION	DATE	DESCRIPTION		ROAD NO.	COUNTY	FINANCIAL PROJECT ID	
					VARIES	ORANGE	435443-1-52-01	

TYPICAL DETAILS

NOTICE: THE OFFICIAL RECORD OF THIS SHEET IS THE ELECTRONIC FILE SIGNED AND SEALED UNDER RULE 61G15-23.003, F.A.C.