

REVISIONS			
DATE	DESCRIPTION	DATE	DESCRIPTION

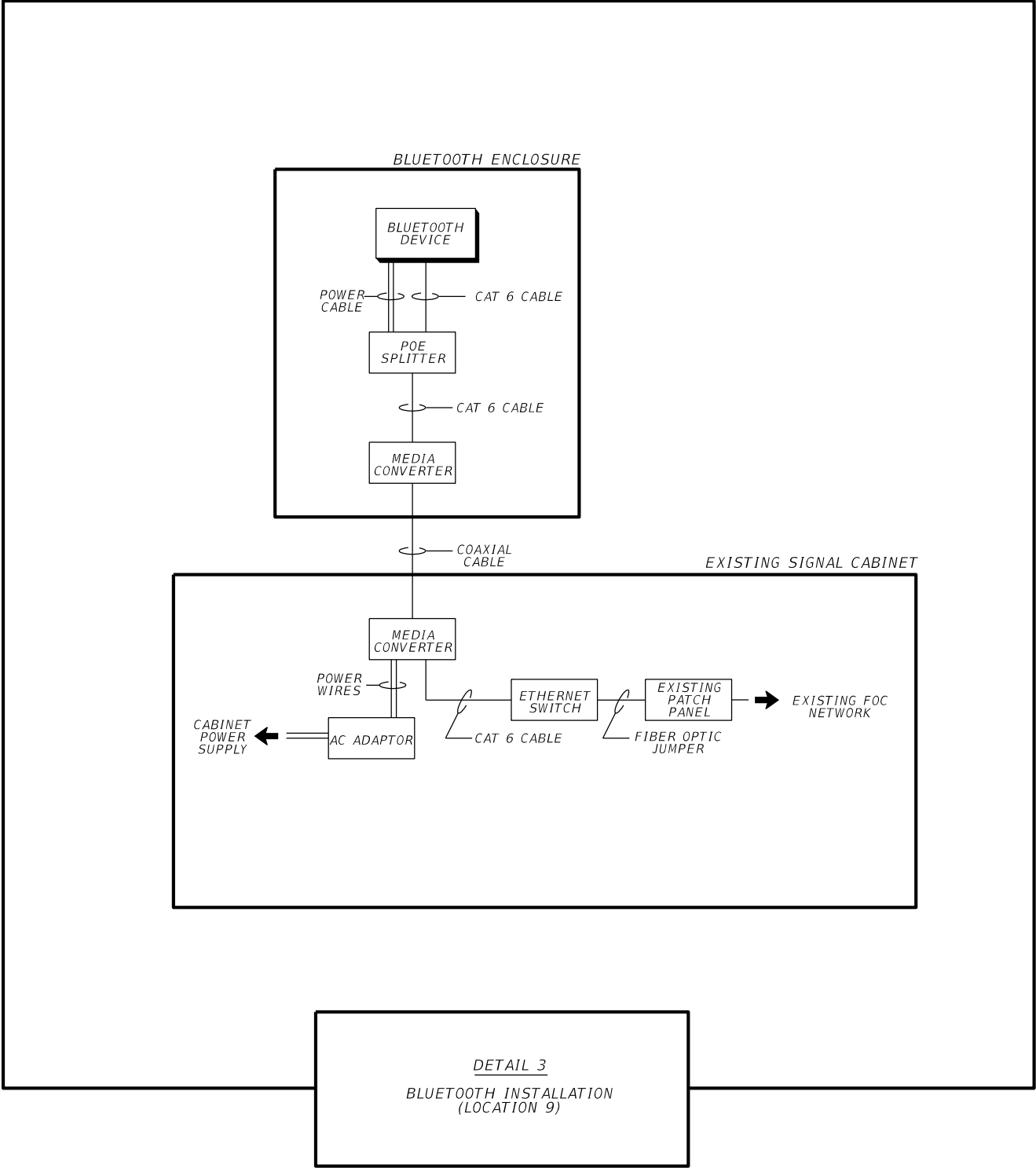
ARCADIS
1650 Prudential Drive, Suite 400
Jacksonville, Florida 32207
T: 904 721 2991 | F: 904 861 2450
Certificate of Authorization No. 7917
BO GAO, PE | No. 76395

STATE OF FLORIDA DEPARTMENT OF TRANSPORTATION		
ROAD NO.	COUNTY	FINANCIAL PROJECT ID
VARIES	ORANGE SEMINOLE	435443-2-52-01

TYPICAL DETAIL SHEETS

SHEET NO.
IT-75

NOTICE: THE OFFICIAL RECORD OF THIS SHEET IS THE ELECTRONIC FILE DIGITALLY SIGNED AND SEALED UNDER RULE 61G15-23.004, F.A.C.



REVISIONS			
DATE	DESCRIPTION	DATE	DESCRIPTION

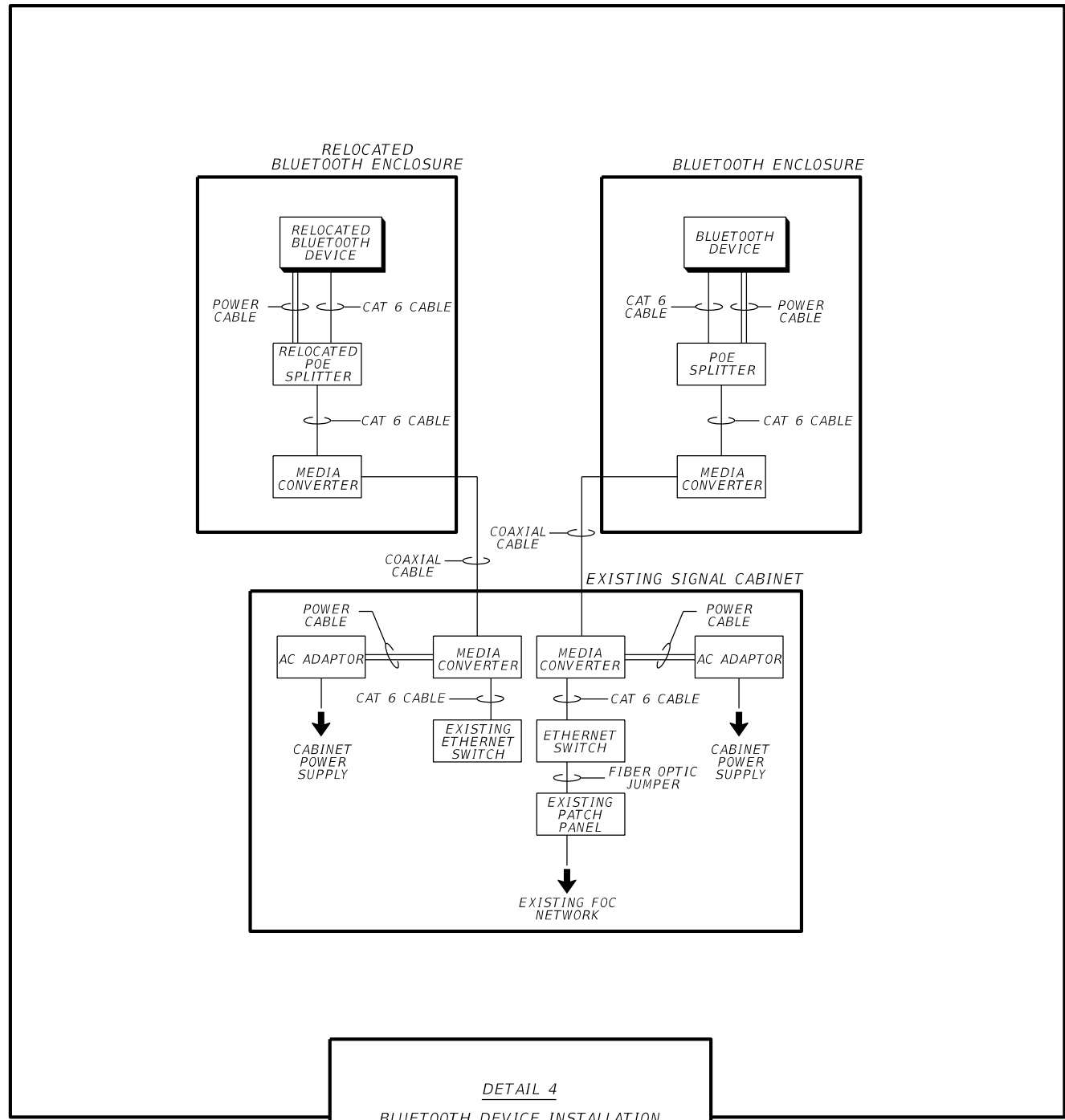
ARCADIS
 1650 Prudential Drive, Suite 400
 Jacksonville, Florida 32207
 T: 904 721 2991 | F: 904 861 2450
 Certificate of Authorization No. 7917
 BO GAO, PE | No. 76395

STATE OF FLORIDA DEPARTMENT OF TRANSPORTATION		
ROAD NO.	COUNTY	FINANCIAL PROJECT ID
VARIES	ORANGE SEMINOLE	435443-2-52-01

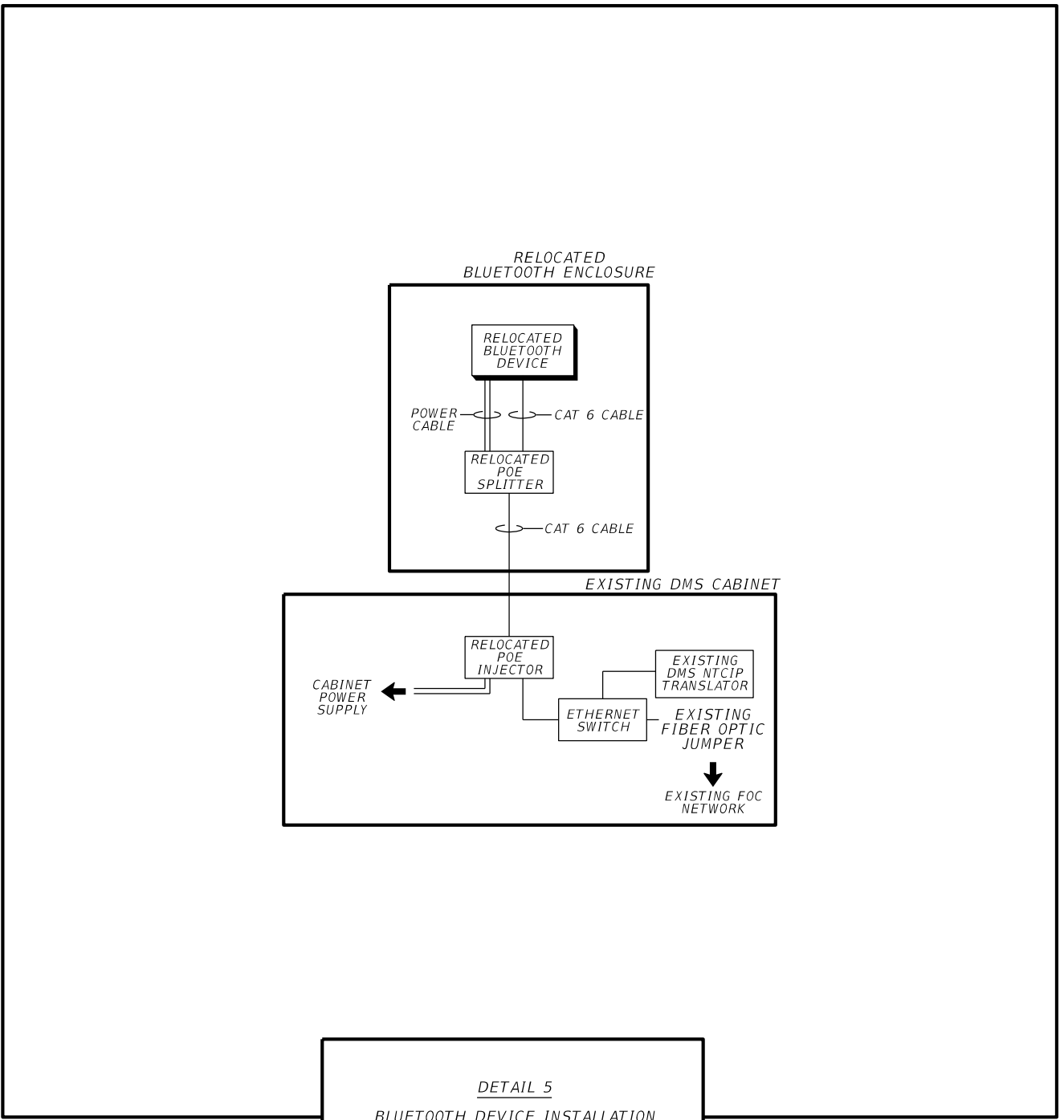
TYPICAL DETAIL SHEETS

SHEET NO.
IT-76

NOTICE: THE OFFICIAL RECORD OF THIS SHEET IS THE ELECTRONIC FILE DIGITALLY SIGNED AND SEALED UNDER RULE 61G15-23.004, F.A.C.



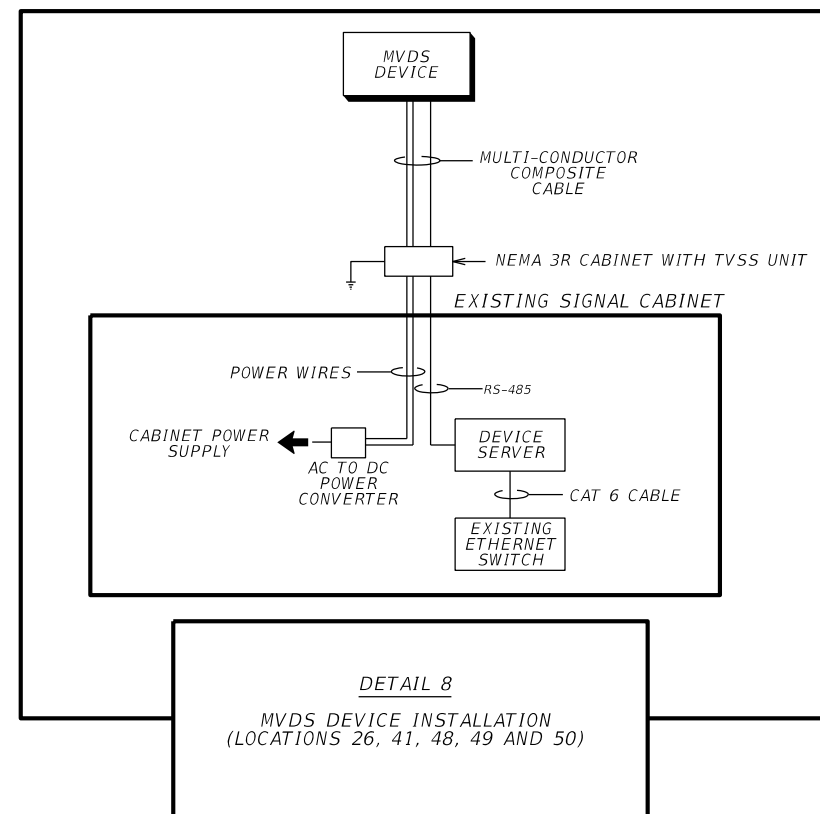
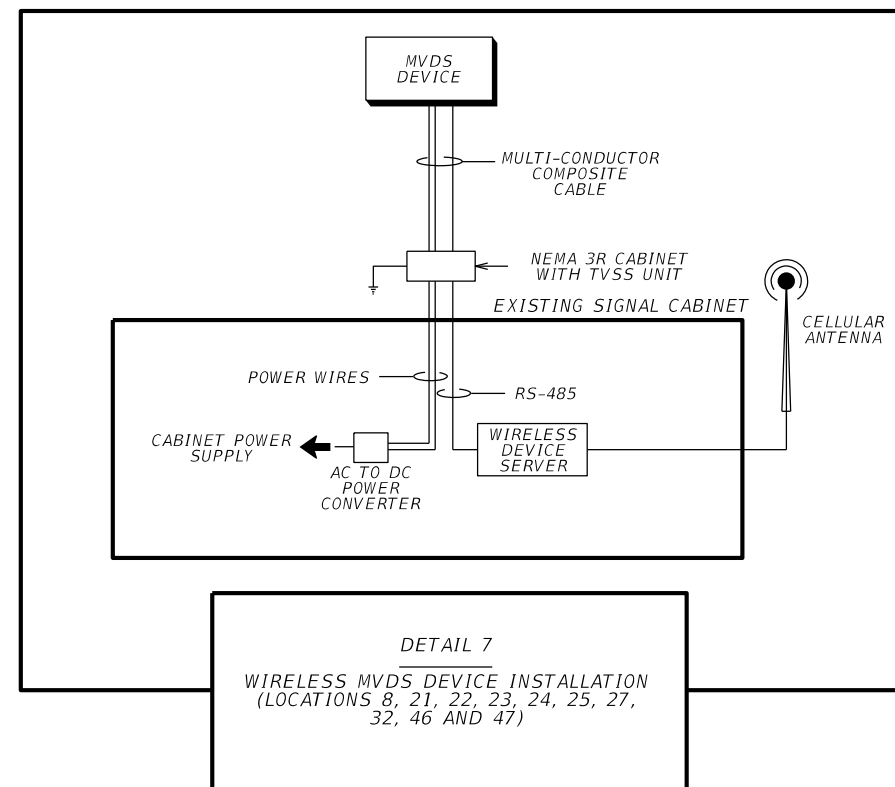
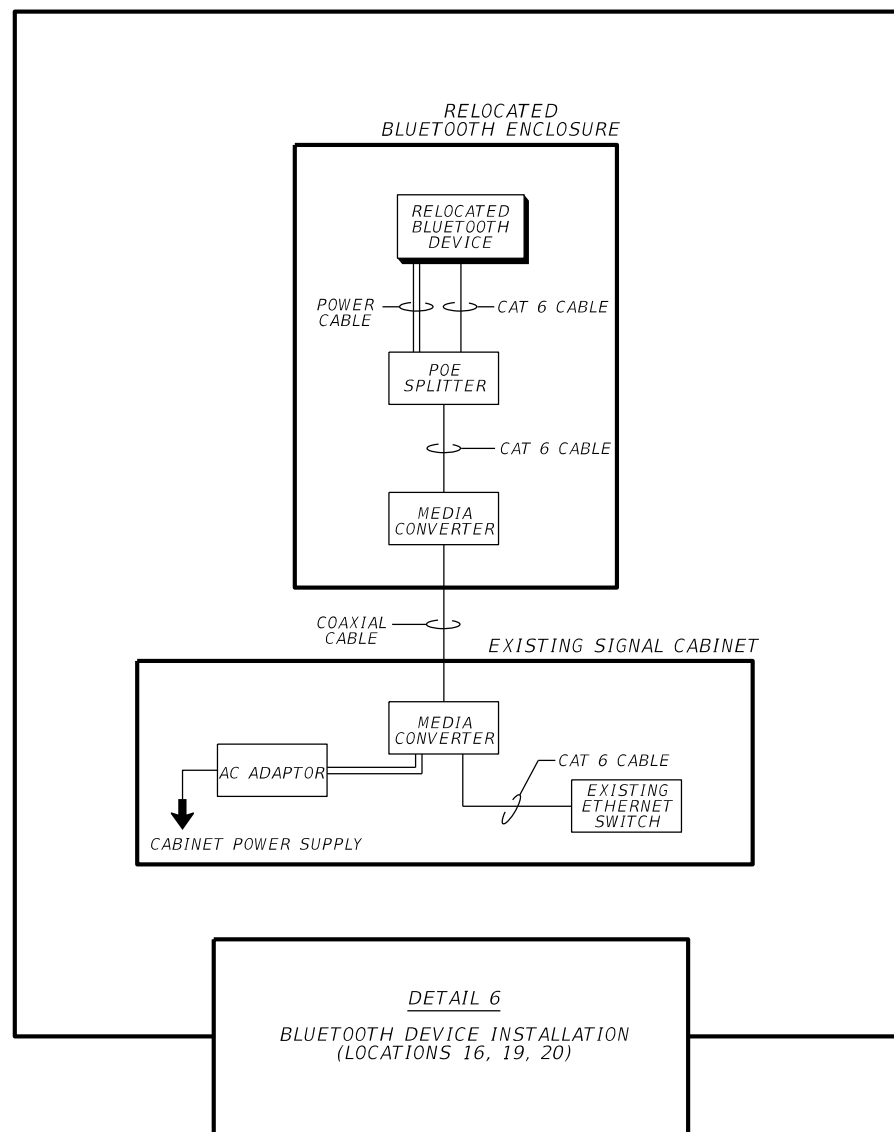
DETAIL 4
 BLUETOOTH DEVICE INSTALLATION
 (LOCATIONS 10)



DETAIL 5
 BLUETOOTH DEVICE INSTALLATION
 (LOCATIONS 11, 12, 13, 15, 17, AND 18)

REVISIONS				ARCADIS 1650 Prudential Drive, Suite 400 Jacksonville, Florida 32207 T: 904 721 2991 F: 904 861 2450 Certificate of Authorization No. 7917 BO GAO, PE No. 76395	STATE OF FLORIDA DEPARTMENT OF TRANSPORTATION			TYPICAL DETAIL SHEETS	SHEET NO.
DATE	DESCRIPTION	DATE	DESCRIPTION		ROAD NO.	COUNTY	FINANCIAL PROJECT ID		
						VARIES	ORANGE SEMINOLE		435443-2-52-01

NOTICE: THE OFFICIAL RECORD OF THIS SHEET IS THE ELECTRONIC FILE DIGITALLY SIGNED AND SEALED UNDER RULE 61G15-23.004, F.A.C.



REVISIONS			
DATE	DESCRIPTION	DATE	DESCRIPTION

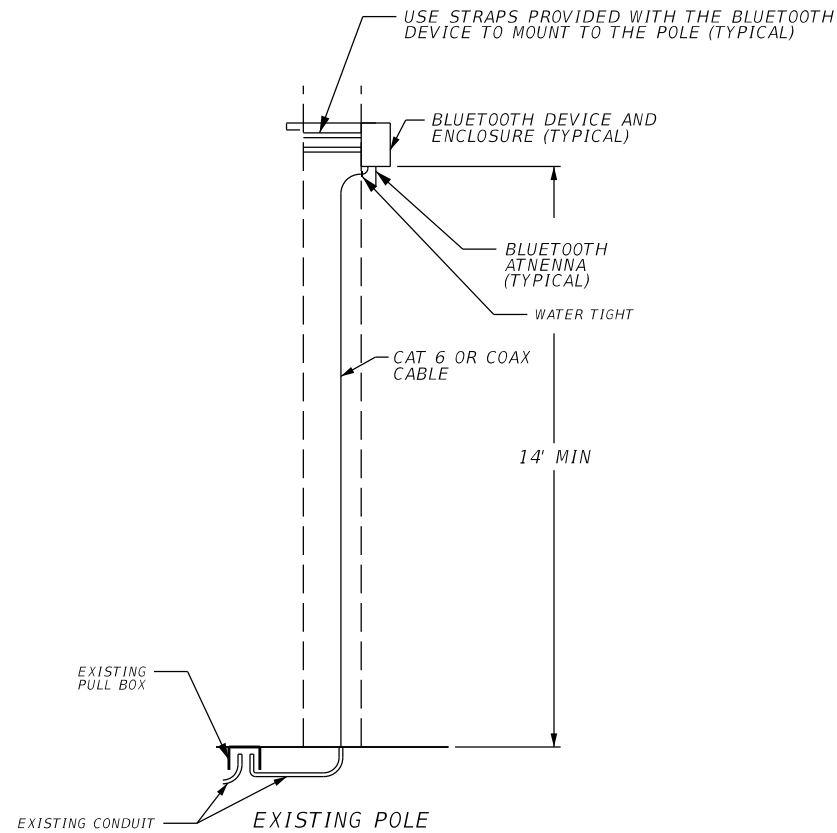
ARCADIS
 1650 Prudential Drive, Suite 400
 Jacksonville, Florida 32207
 T: 904 721 2991 | F: 904 861 2450
 Certificate of Authorization No. 7917
 BO GAO, PE | No. 76395

STATE OF FLORIDA DEPARTMENT OF TRANSPORTATION		
ROAD NO.	COUNTY	FINANCIAL PROJECT ID
VARIES	ORANGE SEMINOLE	435443-2-52-01

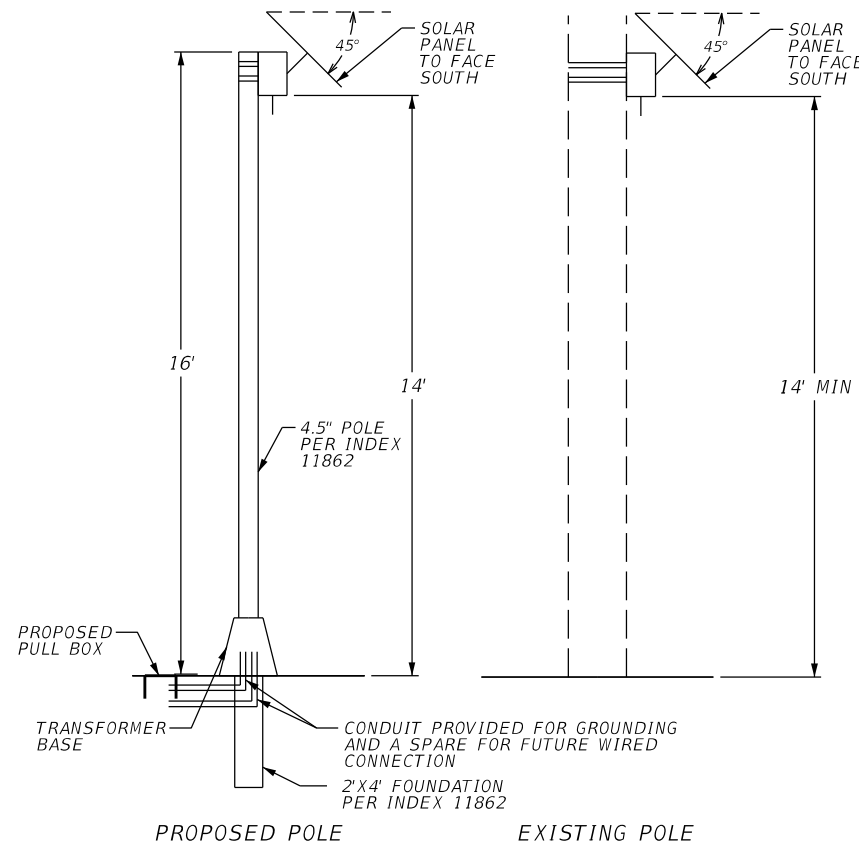
TYPICAL DETAIL SHEETS

SHEET
 NO.
IT-78

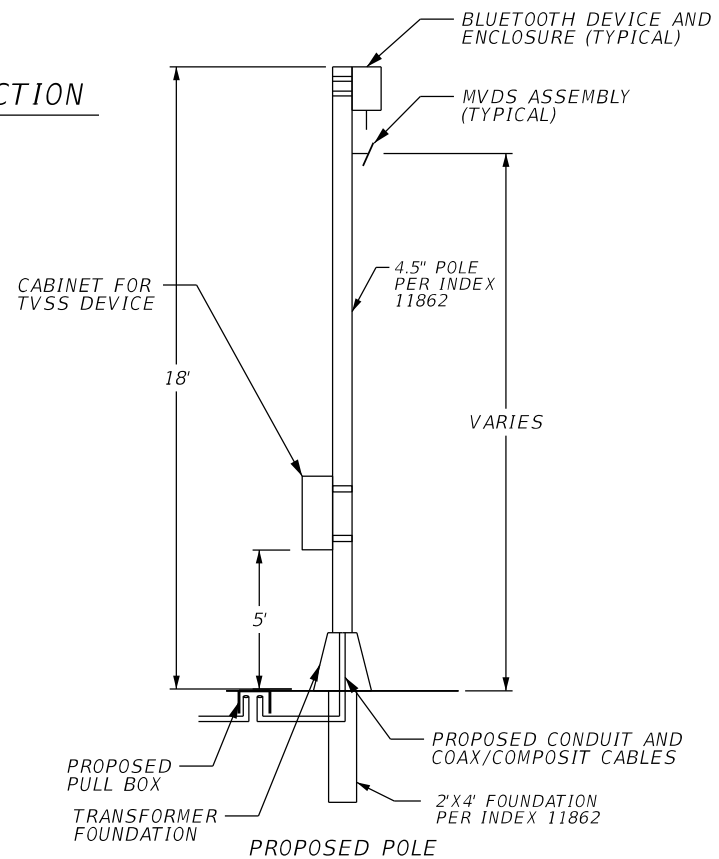
NOTICE: THE OFFICIAL RECORD OF THIS SHEET IS THE ELECTRONIC FILE DIGITALLY SIGNED AND SEALED UNDER RULE 61G15-23.004, F.A.C.



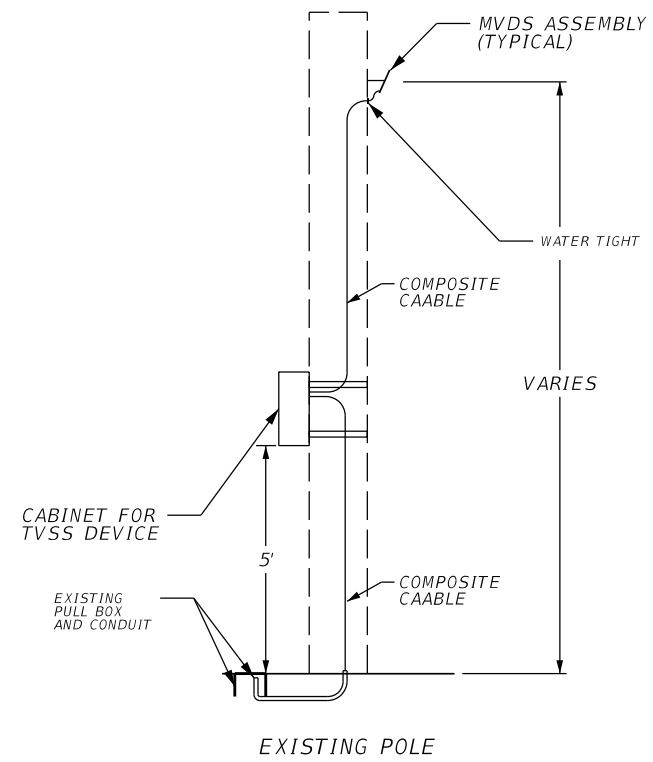
BLUETOOTH DEVICE WIRED CONNECTION



BLUETOOTH DEVICE WIRELESS CONNECTION



BLUETOOTH AND MVDS DEVICE WIRED CONNECTION



MVDS DEVICE WIRED CONNECTION

- NOTES:**
1. CONCRETE SLAB TO BE PROVIDED AROUND EVERY PROPOSED PULL BOX AND PROPOSED POLE LOCATION PER INDEX 11862. COST OF CONCRETE IS INCIDENTAL TO THE PULL BOX PAY ITEM.
 2. THE MOUNTING HEIGHT OF MVDS ASSEMBLY SHALL BE DETERMINED BY VENDERS INSTALLATION GUIDE AND APPROVED BY THE ENGINEER.

REVISIONS				STATE OF FLORIDA DEPARTMENT OF TRANSPORTATION			SHEET NO.
DATE	DESCRIPTION	DATE	DESCRIPTION	ROAD NO.	COUNTY	FINANCIAL PROJECT ID	
				VARIES	ORANGE SEMINOLE	435443-2-52-01	

NOTICE: THE OFFICIAL RECORD OF THIS SHEET IS THE ELECTRONIC FILE DIGITALLY SIGNED AND SEALED UNDER RULE 61G15-23.004, F.A.C.