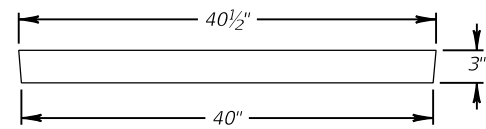
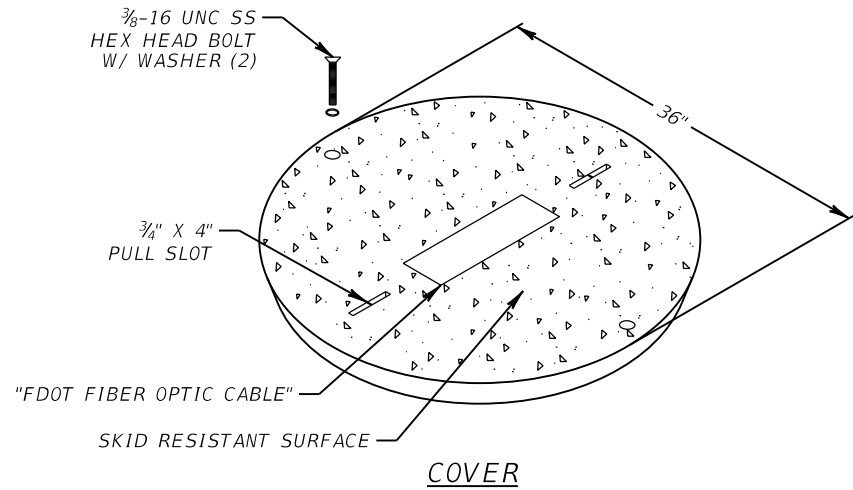


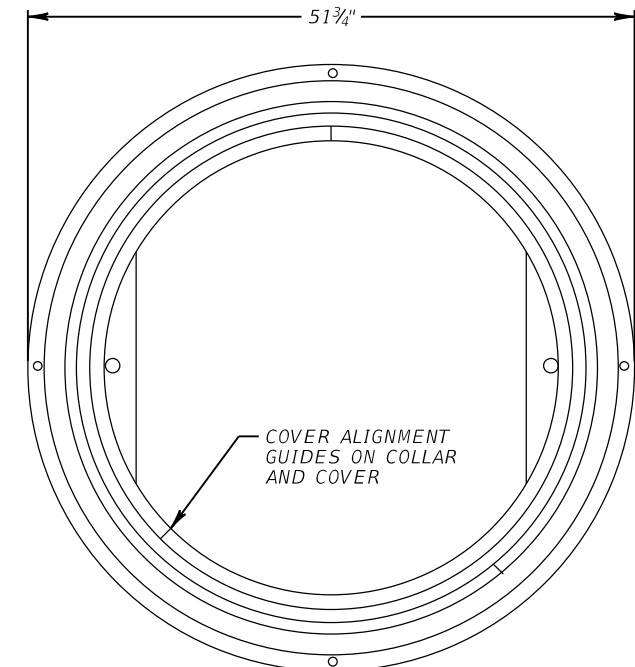
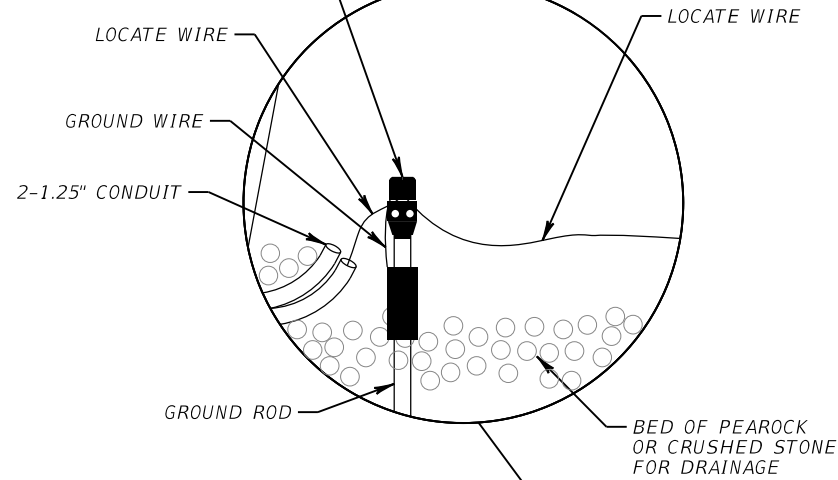
# FIBER OPTIC SPLICE VAULT NTS



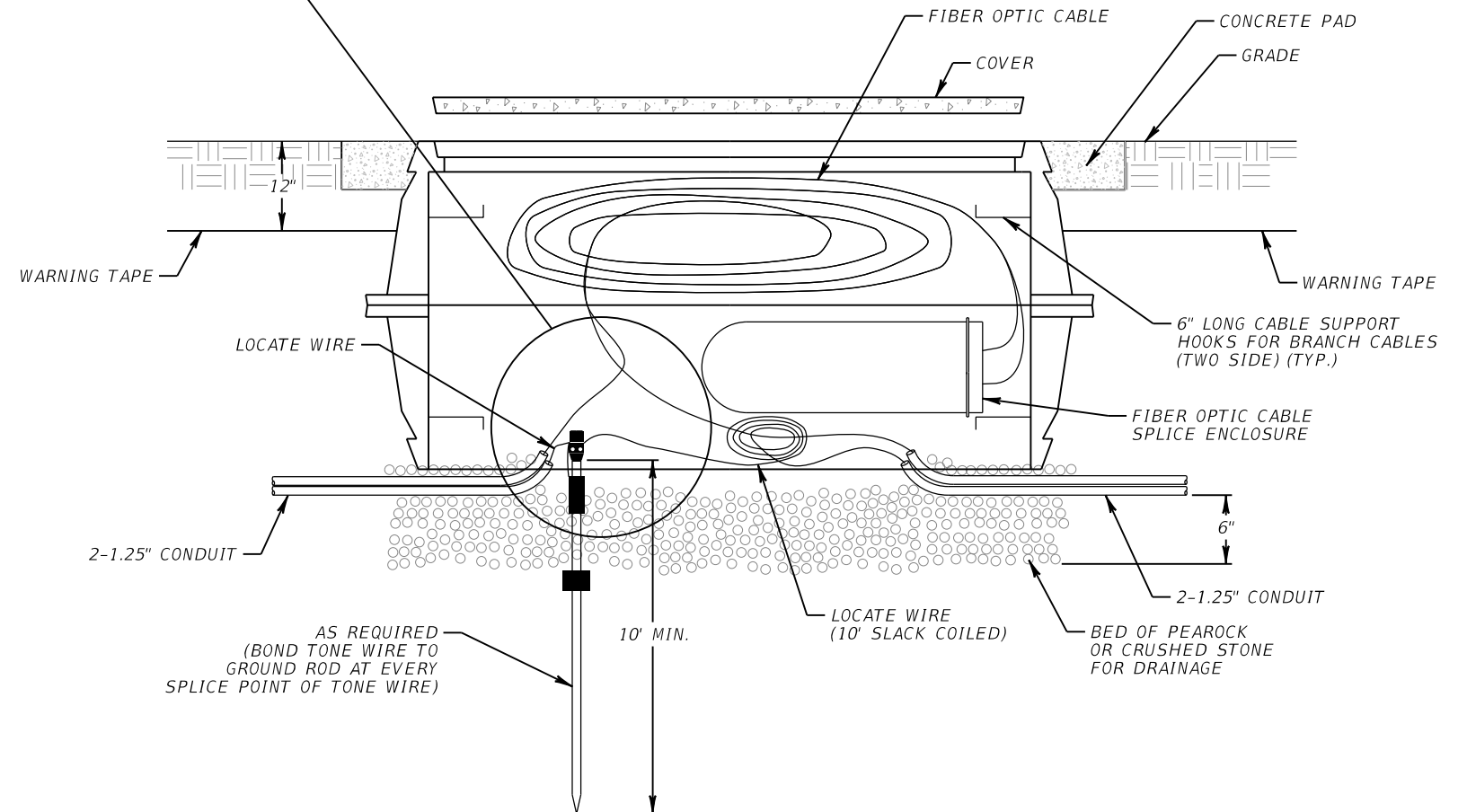
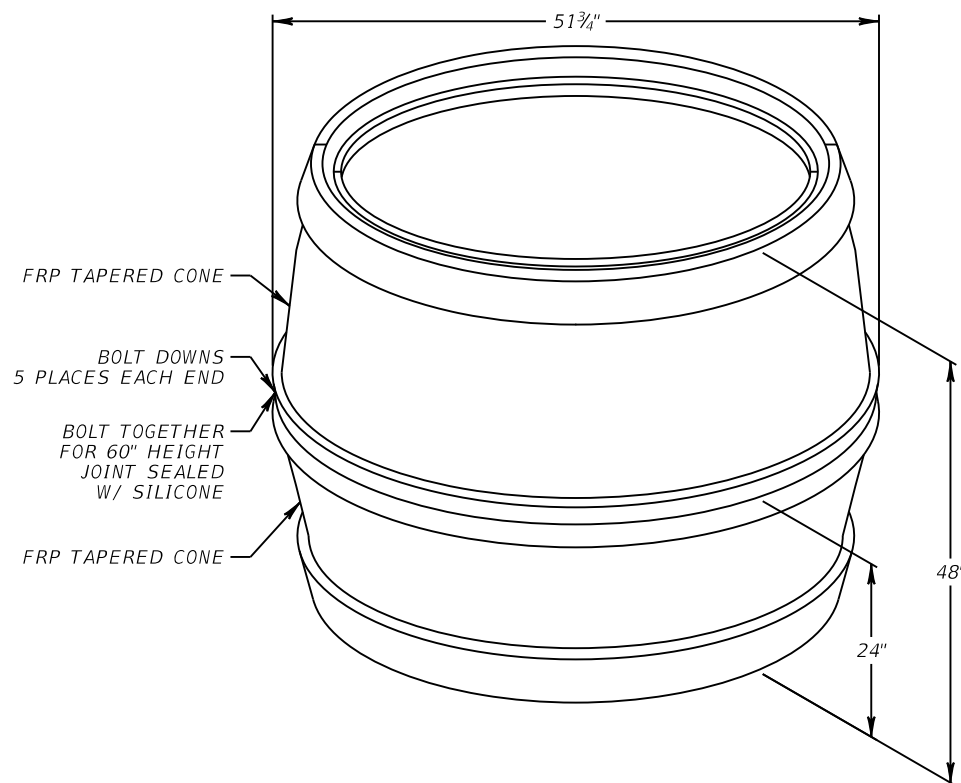
COVER SECTION



WGU AT ALL SPLICE VAULTS  
(BOND TO GROUND ROD AT EVERY  
SPLICE POINT OF TONE WIRE  
OR END OF RUN)



TOP VIEW



**FIBER OPTIC SPLICE VAULT NOTES:**

1. CABLE HANGERS ARE REQUIRED FOR SLACK LOOP AND ENCLOSURE.
2. SPARE FIBER OPTIC CABLE IS TO BE WOUND NEATLY AND CAREFULLY, AS NOT TO EXCEED THE MAXIMUM BENDING RADIUS OF THE FIBER OPTIC CABLE.

REVISIONS			
DATE	DESCRIPTION	DATE	DESCRIPTION

METRIC ENGINEERING, INC.  
ROBERT MASTASCUSA, P.E. # 66600  
615 CRESCENT EXECUTIVE CT  
SUITE 524  
LAKE MARY, FLORIDA 32746  
TEL. (407) 644-1898  
FAX. (407) 644-2376  
CERTIFICATE OF AUTHORIZATION 2294

STATE OF FLORIDA  
DEPARTMENT OF TRANSPORTATION

ROAD NO.	COUNTY	FINANCIAL PROJECT ID
SR 93	MARION	428213-2-52-02

## SPLICE VAULT DETAIL

SHEET  
NO.

IT-117

NOTICE: THE OFFICIAL RECORD OF THIS SHEET IS THE ELECTRONIC FILE SIGNED AND SEALED UNDER RULE 61G15-23.003, F.A.C.